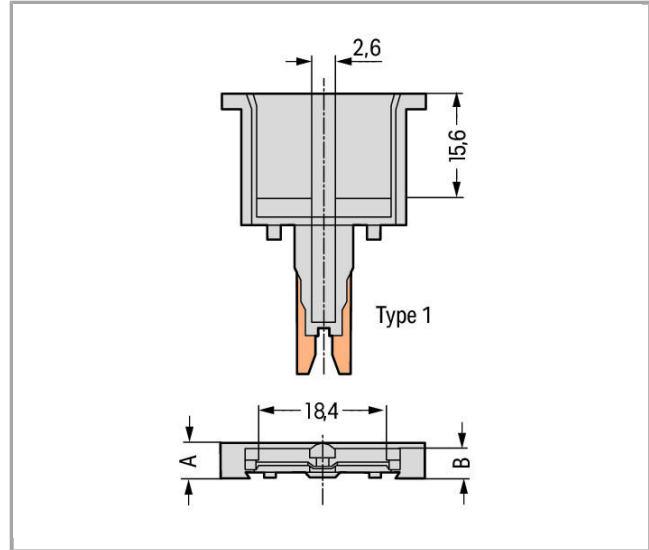


280-801



Item description

Empty component plug housing, type 1

Note:

Inside dimensions of plug W/H/D 3.2/15/15 mm (0.126/0.591/0.591 in)

Data

Electrical data

Rated continuous current	6 A
--------------------------	-----

Safety and protection:

Rated voltage	250 V
---------------	-------

Rated impulse voltage	4 kV
-----------------------	------

Pollution degree	3
------------------	---

Connection data

No. of poles	2
--------------	---

Type of wiring	Front-entry wiring
----------------	--------------------

Geometrical Data

Width	5 mm / 0.197 inch
-------	-------------------

Mechanical data

Housing design	Pluggable module for terminal blocks
----------------	--------------------------------------

Type of mounting	Pluggable module for carrier terminal block
------------------	---------------------------------------------

Material Data

Color	gray
-------	------

Fire load	0.051 MJ
-----------	----------

Weight	2.3 g
--------	-------

Commercial data

Product Group	1 (Rail Mounted Terminal Blocks)
---------------	----------------------------------

Country of origin	DE
-------------------	----

GTIN	4044918270403
------	---------------

Customs Tariff No.	85369010000
--------------------	-------------

Compatible products

clamps



Item no.: 280-610 3-conductor carrier terminal block; for DIN-rail 35 x 15 and 35 x 7.5; 2.5 mm ² ; CAGE CLAMP®	280-610
--------------------------------------------------------------------------------------------------------------------------------------	---------



Item no.: 280-616 2-conductor carrier terminal block; for DIN-rail 35 x 15 and 35 x 7.5; 2.5 mm ² ; CAGE CLAMP®	280-616
--------------------------------------------------------------------------------------------------------------------------------------	---------



Item no.: 280-686

4-conductor carrier terminal block; for DIN-rail 35 x 15 and 35 x 7.5; 2.5 mm²; CAGE CLAMP®

280-686



Item no.: 280-816

4-conductor carrier terminal block; for DIN-rail 35 x 15 and 35 x 7.5; 2.5 mm²; CAGE CLAMP®

280-816



Item no.: 280-916

2-conductor carrier terminal block; for DIN-rail 35 x 15 and 35 x 7.5; 2.5 mm²; CAGE CLAMP®

280-916

Downloads

Documentation

Additional Information

Disposal; Electrical and electronic equipment, Packaging

V 1.0.0

pdf
265.8 kB

Download

CAD/CAE - Smart Data

CAD data

3D Download 280-801

URL

Download

Subject to changes.